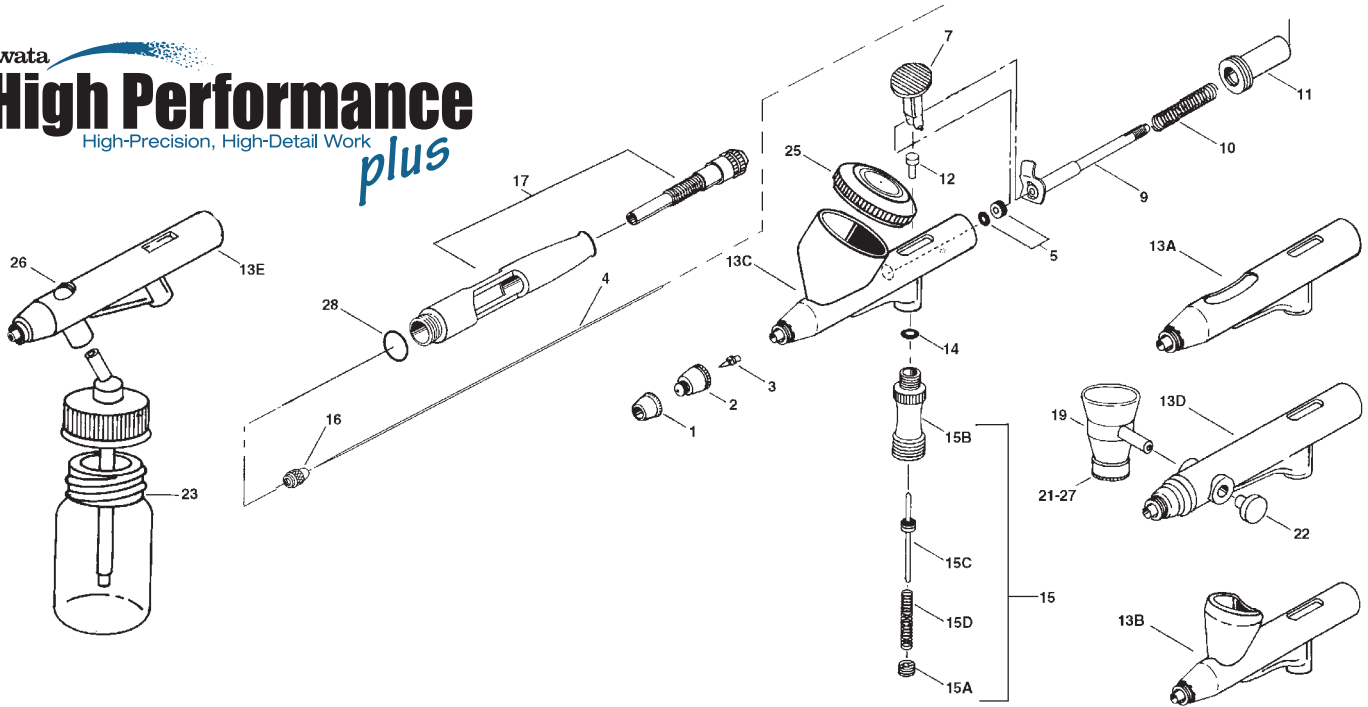


iwata
High Performance
 High-Precision, High-Detail Work
plus



HI Performance Plus HP-AP /HP-BP / HP-BCP / HP-SBP

CODE	OLD CODE	DESCRIPTION	MODEL	REF.
I 110 1	08531030	Needle Cap	HP-AP/BP/SBP	1
I 110 2	08532030	Needle Cap	HP-CP/BCP	1
I 140 1	08530020	Nozzle Cap 0.2 mm	HP-AP/BP/SBP	2
I 140 3	08532020	Nozzle Cap 0.30 mm	HP-CP/BCP	2
I 080 7	98531430	Fluid Nozzle Set 0.2 mm	HP-AP/BP/SBP	3
I 080 8	98535440	Nozzle Set 0.30 mm	HP-CP/BCP	3
I 075 1	08530030	Fluid Needle Set 0.2 mm	HP-AP/BP/SBP	4
I 075 3	08532040	Fluid Needle Set 0.30 mm	HP-CP/BCP	4
I 125 7	98535400	Needle Packing Set (PTFE)	HP-CP/BCP	5
I 725 1	98532430	Needle Packing Set (PTFE)	HP-AP/BP/SBP	5
I 100 1	08532070	Main Lever	HP-AP/BP/SBP	7
I 100 2	08532240	Main Lever	HP-CP	7
I 100 3	08535020	Main Lever Piston	HP-BCP	7
I 115 7	98533430	Needle Chucking Guide W/Auxiliary Lever	HP-AP/BP/SBP	9
I 715 1	98530410	Needle Chucking Guide W/Auxiliary Lever	HP-CP/BCP	9
I 135 2	08531060	Needle Spring	HP-AP/BP/SBP	10
I 135 3	08532120	Needle Spring	HP-CP/BCP	10
I 170 6	98530550	Spring Guide	HP-AP/BP/SBP	11
I 770 1	98531410	Spring Guide	HP-CP/BCP	11
I 175 1	08532140	Piston	HP-AP/BP/CP/SBP	12
-	-	Gun Body	All Models	13 A-B-C D-E
I 145 1	03906830	Air Valve Packing	HP-AP/BP/CP/SBP/BCP	14
I 030 1	08534280	Air Valve Set	HP-AP/BP/SBP	15
I 030 4	08532260	Air Valve Set	HP-CP/BCP	15

CODE	OLD CODE	DESCRIPTION	MODEL	REF.
I 025 1		Air Valve Guide	HP-AP/BP/CP/SBP/BCP	15A
I 020 1		Air Valve Body	HP-AP/BP/CP/SBP/BCP	15B
I 015 1		Air Valve	HP-AP/BP/CP/SBP/BCP	15C
I 015 4		Air Valve	HP CP/HP BCP	15C
I 035 1		Air Valve Spring	HP-AP/BP/CP/SBP/BCP	15D
I 120 1	08531080	Needle Chucking Nut	HP-AP/BP/CP/SBP/BCP	16
I 155 5	98531550	Preset Cap Handle Set	HP-AP/BP/SBP	17
I 155 6	98534430	Preset Cap Handle Set	HP-CP/BCP	17
I 070 3	13409130	Side Cup 1/8 Oz.	HP-SBP	19
I 070 4		Side Cup W/Lid 1/4 Oz.	HP-SBP	19
I 070 6		Gravity Cup 1/2 Oz.	HP-SBP	19
I 095 6		Lower Lid	HP-SBP	21
I 045 2	08534010	Blanking Cover	HP-SBP	22
I 405 2	VIM4052	Glass Bottle Set W/Lid 3/4 Oz.	HP-BCP	23
I 618 1	08535380	Lid Cup	HP-CP	25
I 095 7		Lid	HP-SBP	25
I 045 1		Blanking Screw	HP-BCP	26
I 605 1	08012600	O Ring (2 Pcs.)	HP-AP/BP/CP/SBP/BCP	28
I 165 1	08530060	Spanner	HP-AP/BP/CP/SBP/BCP	45
I 195 1		Conversion Kit (Nozzle 0.3Mm To 0.4 mm)	HP-CP/BCP	
I 105 0		Crown Cap	HP-AP/BP/CP/SBP/BCP	
I 160 3	13409060	Quick Fit Set (Qd & Adaptor)	HP-AP/BP/CP/SBP/BCP	
I 160 4	13409450	Quick Fit Adaptor	HP-AP/BP/CP/SBP/BCP	
J 001		Adaptor (Iwata Airbrushes To Paasche Air Hose)	HP-AP/BP/CP/SBP/BCP	
J 002		Adaptor (Iwata Airbrushes To T&C/Badger Air Hoses)	HP-AP/BP/CP/SBP/BCP	
I 450 1S		Side-Feed Bottle 1Oz. - Clear	HP-SBP	
I 450 2S		Side-Feed Bottle 2Oz. - Clear	HP-SBP	
I 470 1S		Side-Feed Bottle 2Oz. - Hs	HP-SBP	
I 470 2S		Side-Feed Bottle 2Oz. - Hs	HP-SBP	